



Power Gun

The Power Gun is a suction blast tool designed for dry, touch-up blasting where the air is limited or the job is small. The tool is lightweight, compact and easy to setup.

Portable

Leightweight and easy to transport.

Versatile

Can be used with any expendable media container or right out of the bag.

The Power Gun simply connects to compressed air and abrasive sources. The unique suction lance installed on the abrasive hose is partially submerged into a bag of media or connected to the optional media hopper.

Simple

Easy to use and maintain. Partially submerge suction lance into bag of abrasives.

strictly superior

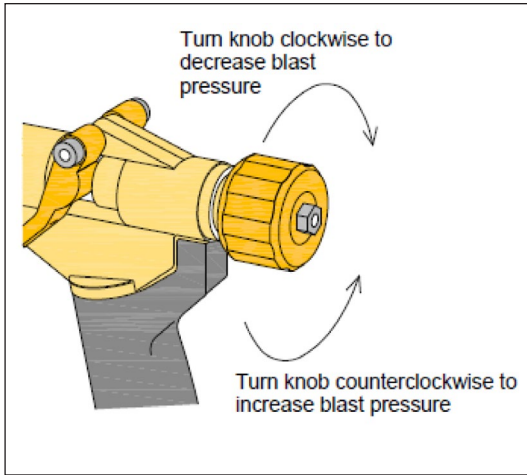
Blasting begins when the operator depresses a lever on the gun. A vacuum is created by the compressed air rushing past the point where the abrasive hose attaches to the gun. The vacuum draws abrasives through the hose into the gun where it mixes with compressed air.



Popular Applications

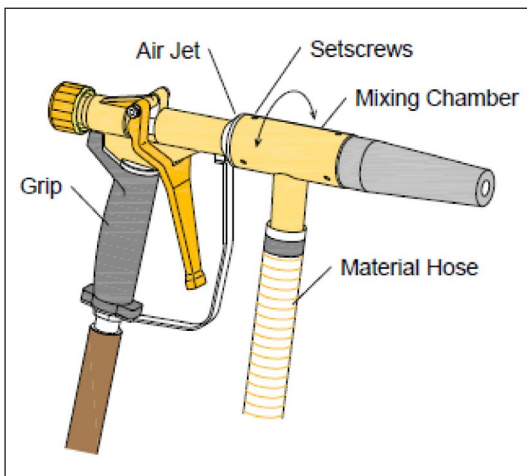
- Touch-up work or re-blasting areas that may have failed inspection
- On-board ships
- On a scaffold or other elevated/difficult to reach locations
- Small jobs
- Inside large diameter pipes





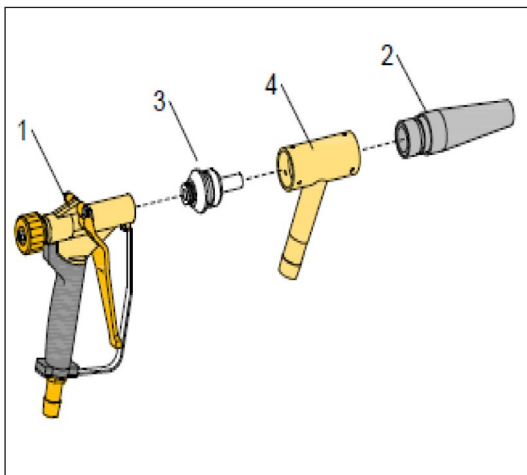
Requirements for operation

- Clean, dry, compressed air of sufficient volume to maintain pressure at the gun. Volume of air will depend on the application and desired production rate
- Suitable air-fed helmet for respiratory protection for the operator
- Expendable abrasives 1 millimeter and finer
- The use of abrasives containing more than 1% free silica is not recommended
- Competent operator



Remember:

Acceleration of particles is slower than that of a blast pot, resulting in finer profiles.



Air Requirements

Pressure (PSI)	Volume (CFM)
40	40
50	50
60	60
75	70
90	80
100	90
120	105
140	120

Contact:

HQ Gauteng
+27 (0)11 894 2005

Kwazulu Natal:
+27 (0)31 700 8332

Western Cape:
+27 (0)21 510 6385

Eastern Cape:
+27 (0)41 581 0280

sales@stormmachinery.co.za

www.stormmachinery.co.za

0861 1 STORM (78676)

