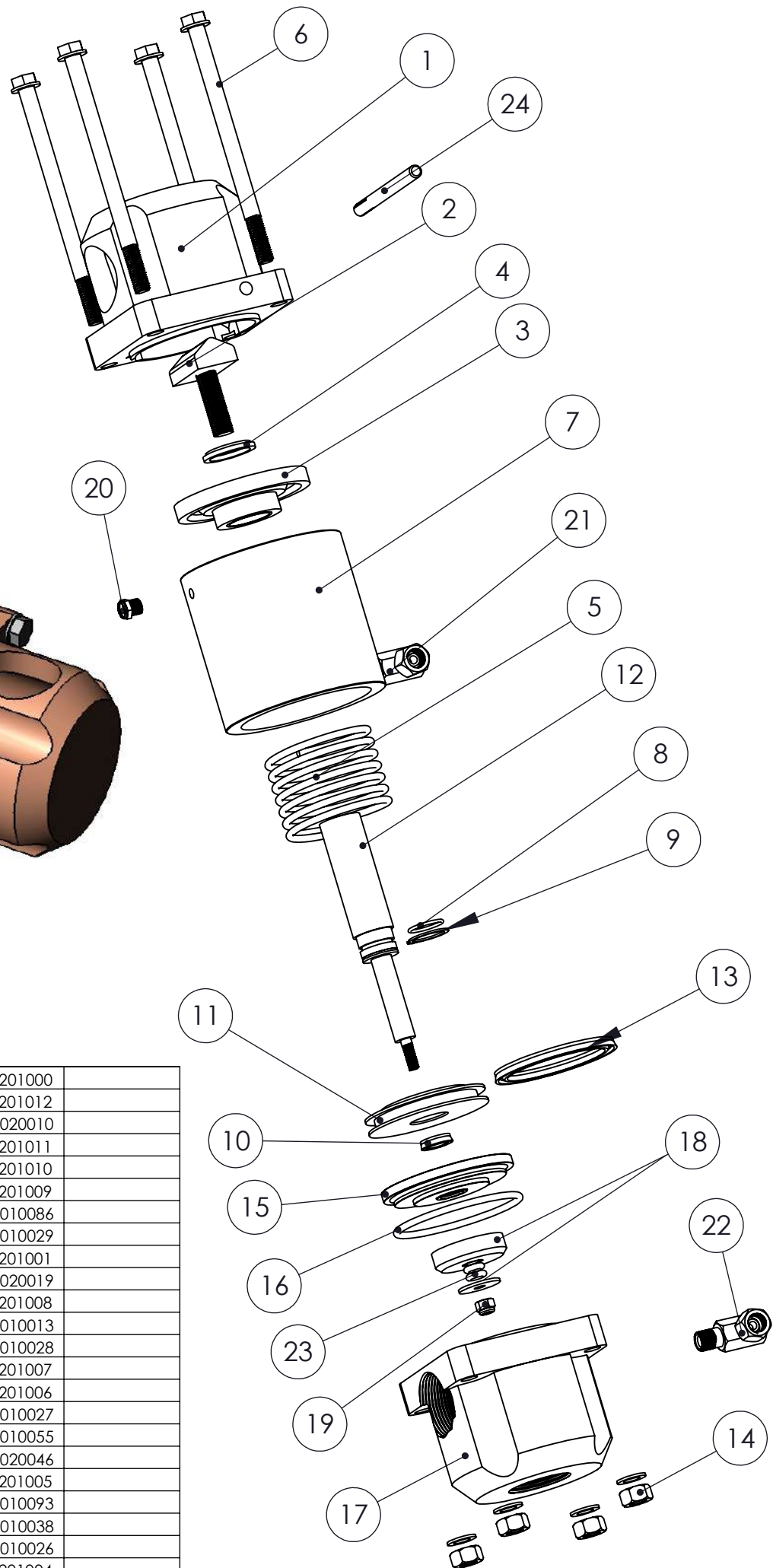
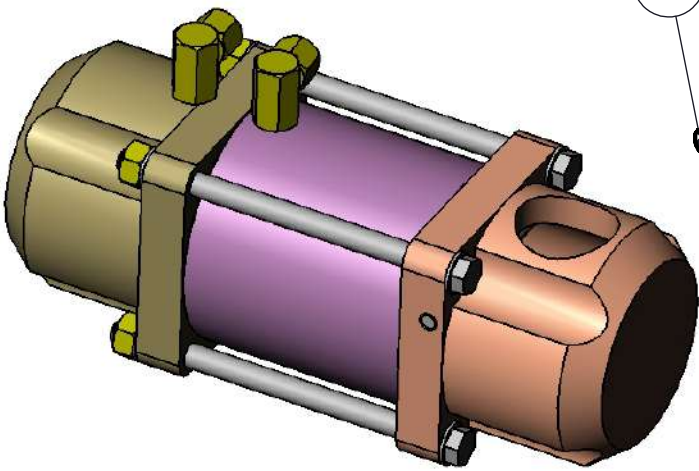


STORM MACHINERY
PRODUCT COMBO VALVE
 sales@stormmachinery.co.za
 www.stormmachinery.co.za



SR. #	DRG. SR. #	DESCRIPTION	EROL PART #	PARTY CODE #
	*	Included in Spare Kit	KT03201000	
24	24	pin	FS03201012	
23	23	Circle Ring (Valve Plug Assly.)	SP01020010	
22	22	90° Swivel 1/4"x1/4"	FS03201011	
21	21	90° Swivel 1/8"x1/8"	FS03201010	
20	20	Vent 1/8"	FS03201009	
19	19*	Hex. Nut With Washer 1/4"	SP04010086	
18	18*	Valve Plug Assly.	SP01010029	
17	17	Base	FS03201001	
16	16*	Circle Ring (Lower Rod Guide)	SP01020019	
15	15	Lower Rod Guide	FS03201008	
14	14	Hex. Nut With Washer 3/8"	SP04010013	
13	13*	Piston Seal	SP01010028	
12	12	Shaft	FS03201007	
11	11	Piston	FS03201006	
10	10*	Seal (Lower Rod)	SP01010027	
9	9*	Snap Ring	SP04010055	
8	8*	Circle Ring (Shaft)	SP01020046	
7	7	Cylinder	FS03201005	
6	6	Bolt 3/8"x6" With Washer	SP04010093	
5	5	Spring	SP03010038	
4	4*	Seal (Upper Rod)	SP01010026	
3	3	Upper Rod Guide	FS03201004	
2	2	Pinch Ram	FS03201003	
1	1	Cap	FS03201002	