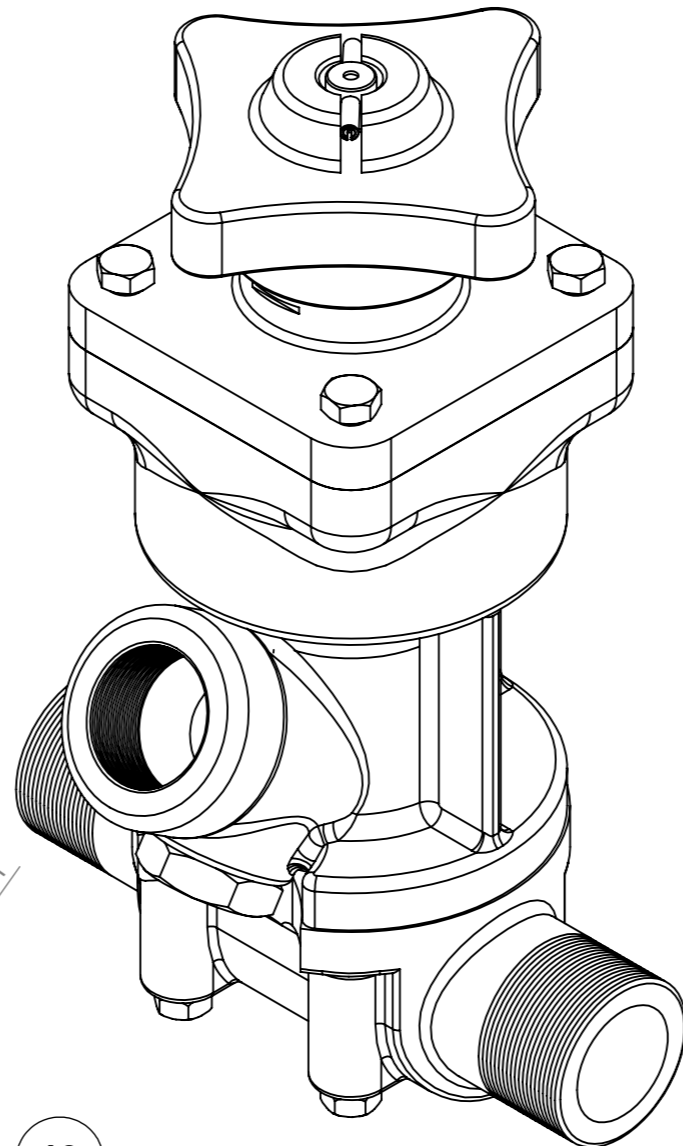
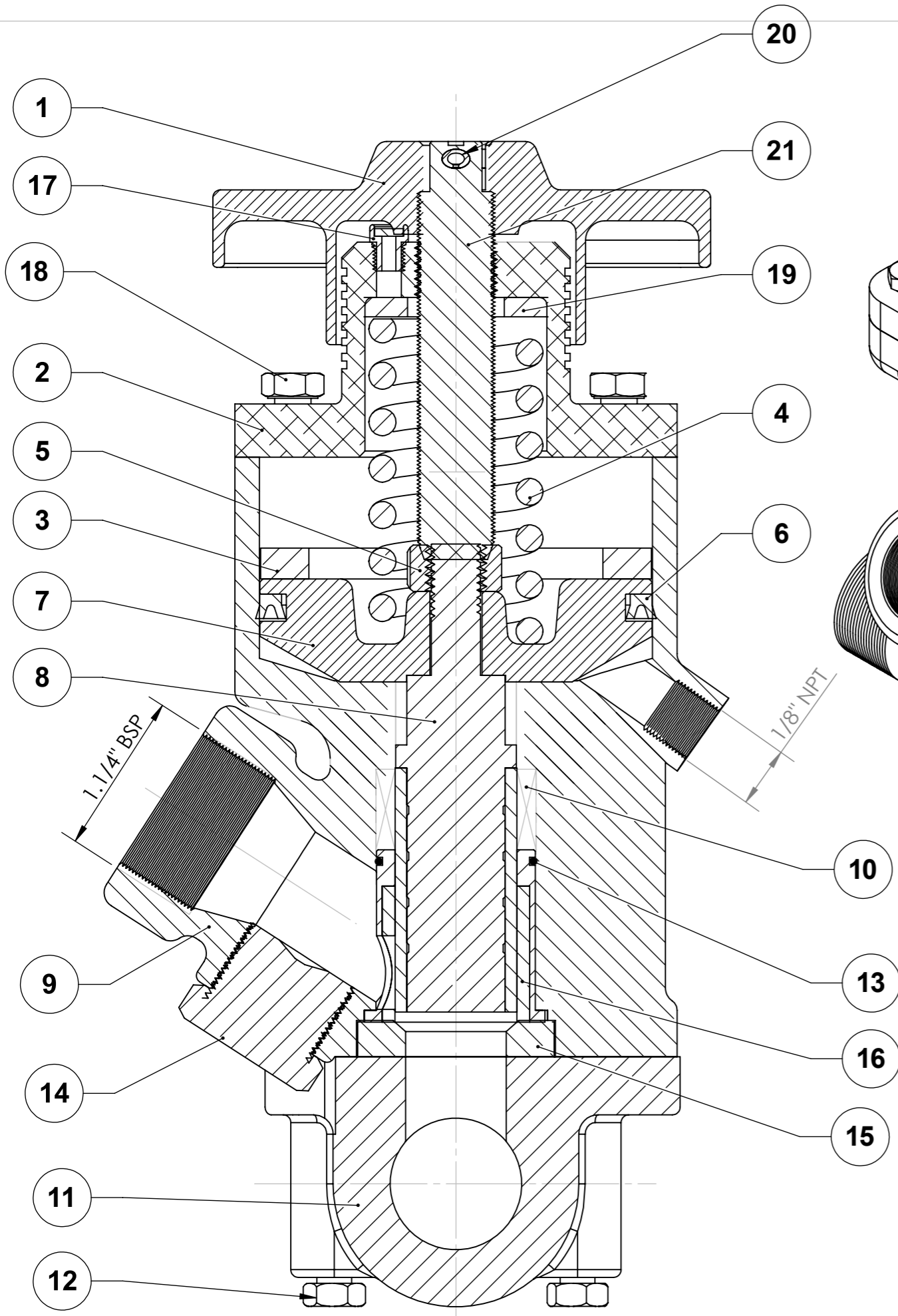




STORM MACHINERY

STORM MACHINERY
PRODUCT MMV2
 sales@stormmachinery.co.za
 www.stormmachinery.co.za

REPAIR KIT CONSISTS OF :- #6,8,10,13,15&16



ITEM NO.	DESCRIPTION	QTY.
21	Knob Plunger	1
20	Dowel Pin	1
19.	Disc	1
18	Hex. Bolt 3/8" UNCX32mm LONG	4
17	Breather Vent 1/8"	1
16*	Tungsten Carbide Sleeve	1
15*	PU Seat	1
14	Plug for Cleanout Port	1
13*	O Ring	1
12	Bolt 3/8" UNCX70 Long With Washer	4
	Base 1.1/2"	1
	Base 1.1/4"	1
11	Base 1"	1
10*	Composite Seal	3
9	Cylinder	1
8*	Tungsten Carbide Plunger	1
7	Piston	1
6*	Piston Seal	1
5	Nut	1
4	Spring	1
3	Rubber Washer	1
2	Cap	1
1	Knob	1

LIMITS UNLESS OTHERWISE STATED	AMENDMENTS			CROSS REFERENCES (IF ANY) E/300	WORK INSTRUCTION #
	#	DATE	APPD BY		
WHOLE NO's ± 0.5 mm					
DECIMALS ± 0.2 mm					
ALL SIZES IN mm UNLESS OTHERWISE STATED				TITLE Macro Metering Valve MMV-II	
		DRN BY	CKD	APPD	EDITION NO . 00
		M. KUMAR	RK	LMS	DRG #
		19/06/12	19/06/12	19/06/12	E/607.02

